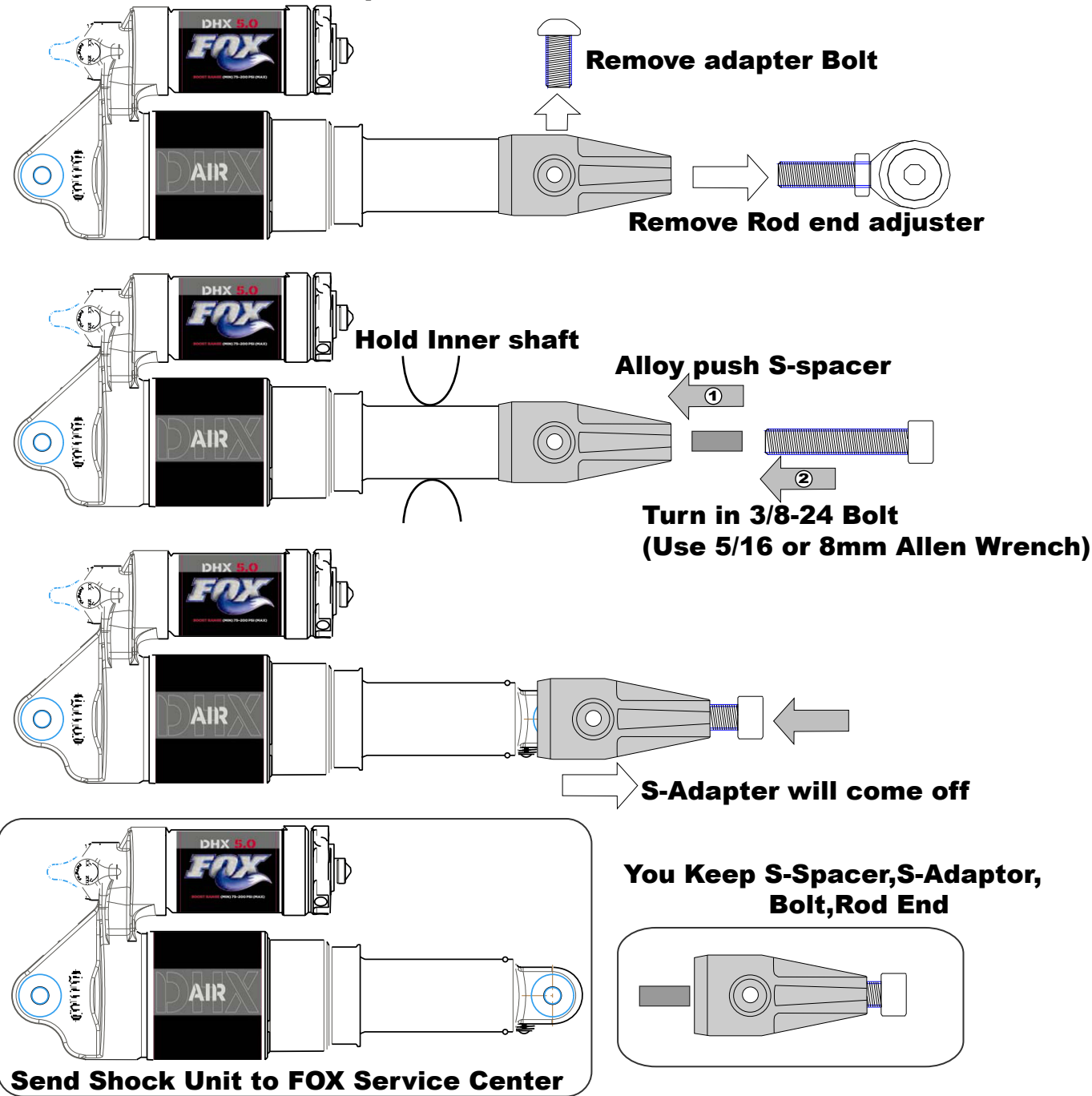


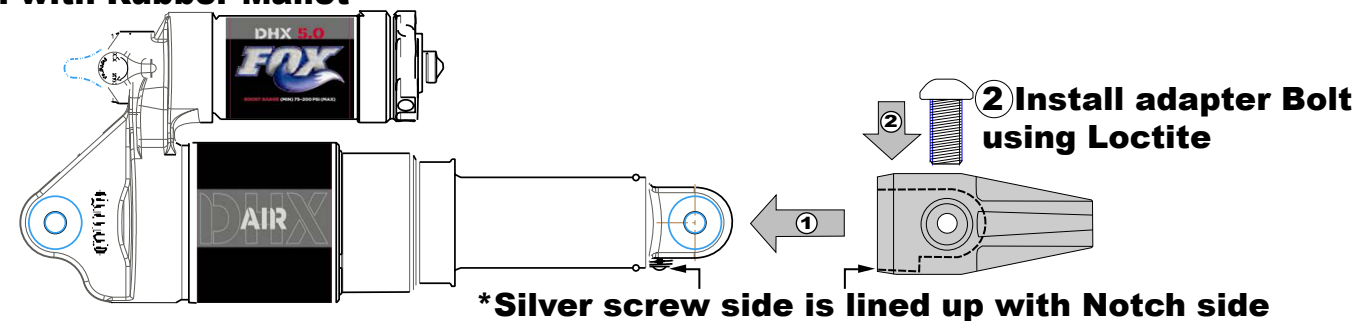


FOES-FXR,XCT5, FOX DHX Air 5.0 Shock Adapter Removal Instructions.
When your shock needs maintenance service by FOX Service Center
You must Remove Foes adapter as follows:

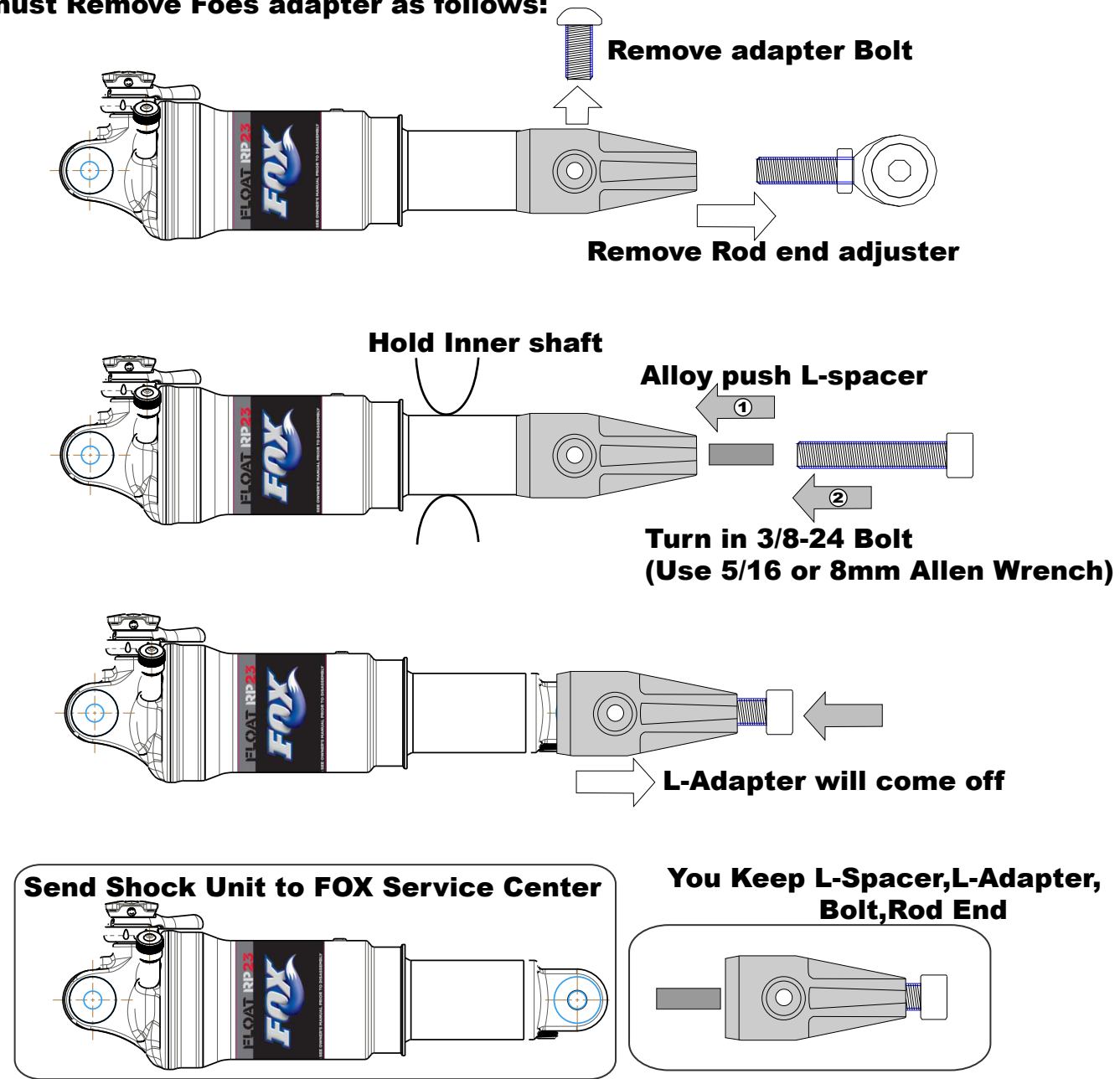


To Re-Install

① S-Adapter make sure Notch inside of S-Adapter is lined up with Silver Allen screw then tap on with Rubber Mallet



FOES-XCT4,PLS, FOX Float RP23 Shock Adapter Removal Instructions.
When your shock needs maintenance service by FOX Service Center
You must Remove Foes adapter as follows:



To Re-Install

① L-Adapter make sure Notch inside of L-Adapter is lined up with Silver Allen screw then tap on with Rubber Mallet

